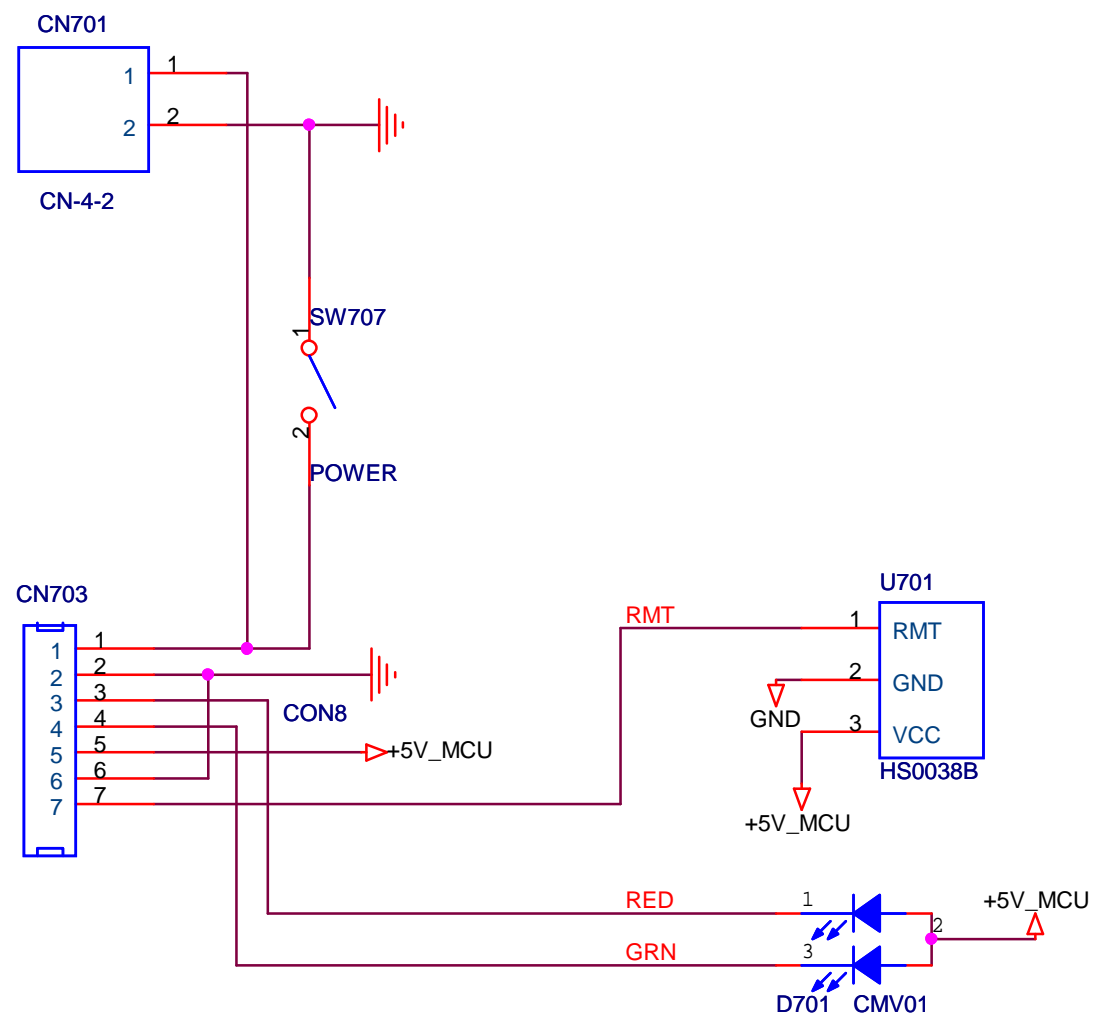
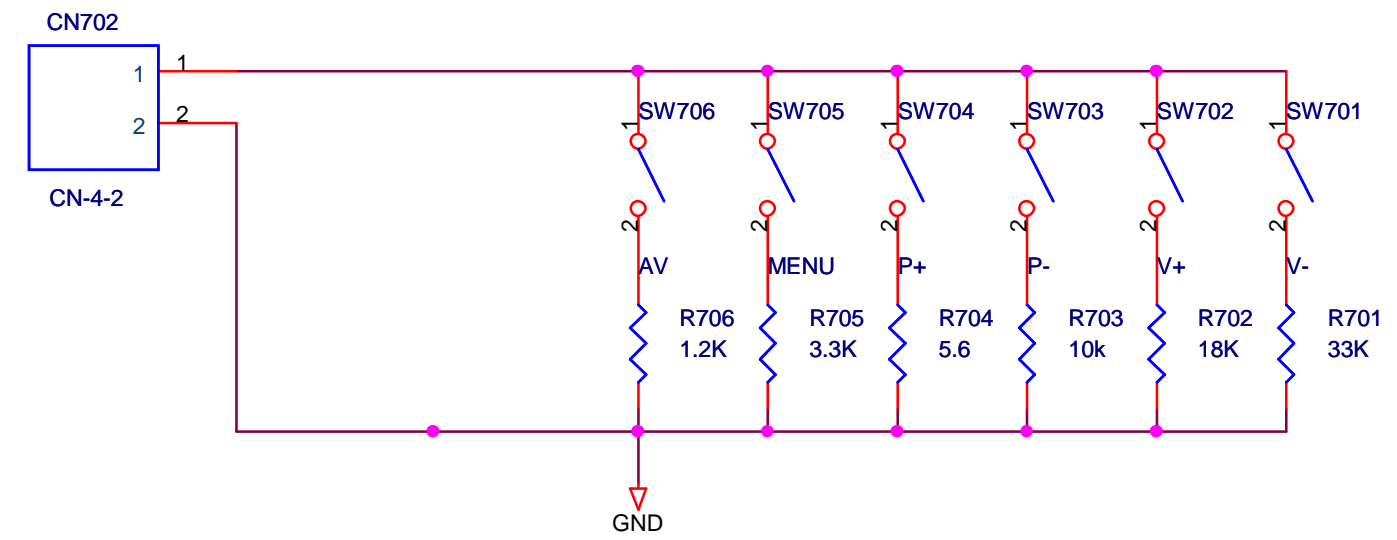
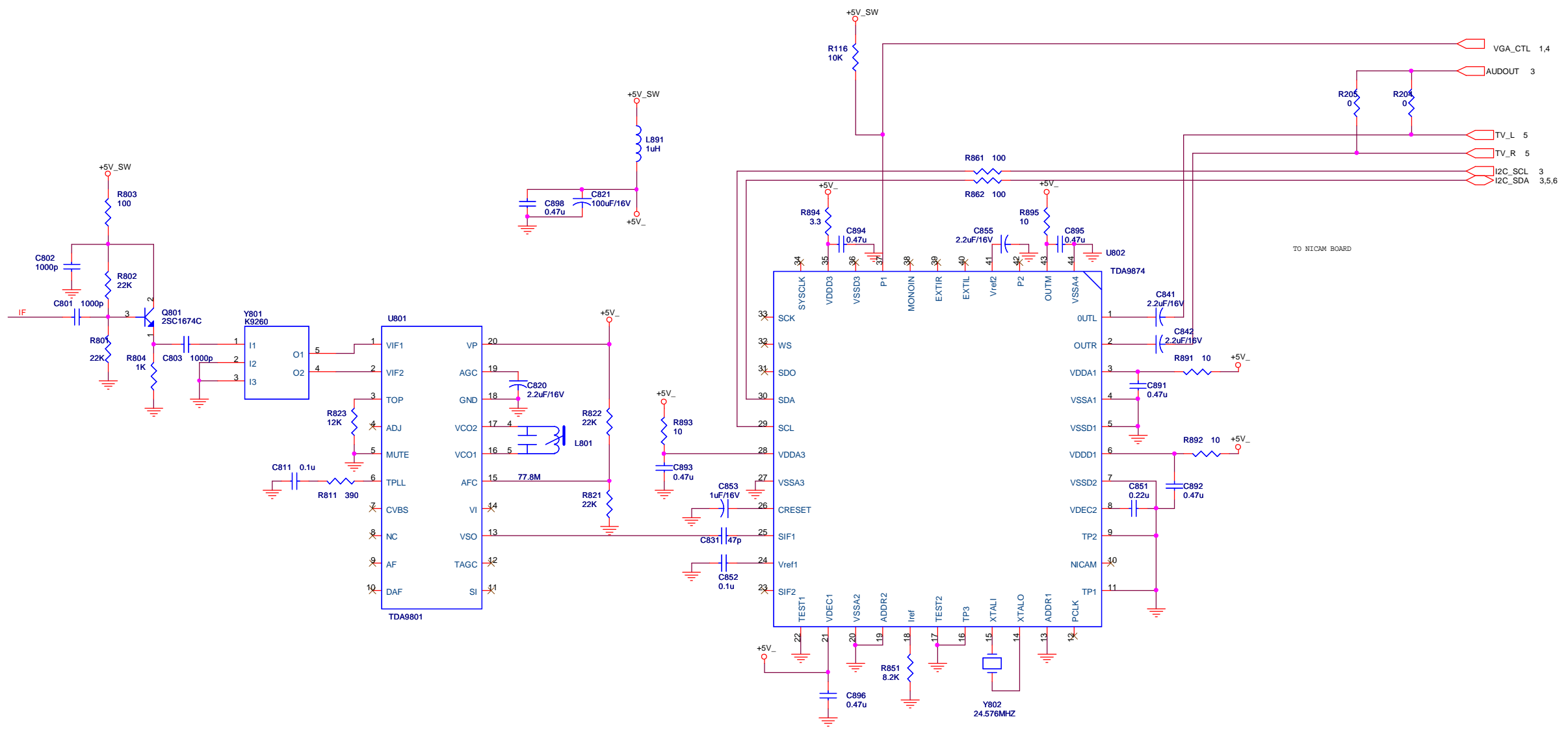


Title		
6.INTERFACE		
Size	Document Number	Rev
C	MT1518TL	a
Date:	Friday, October 21, 2005	Sheet 6 of 9

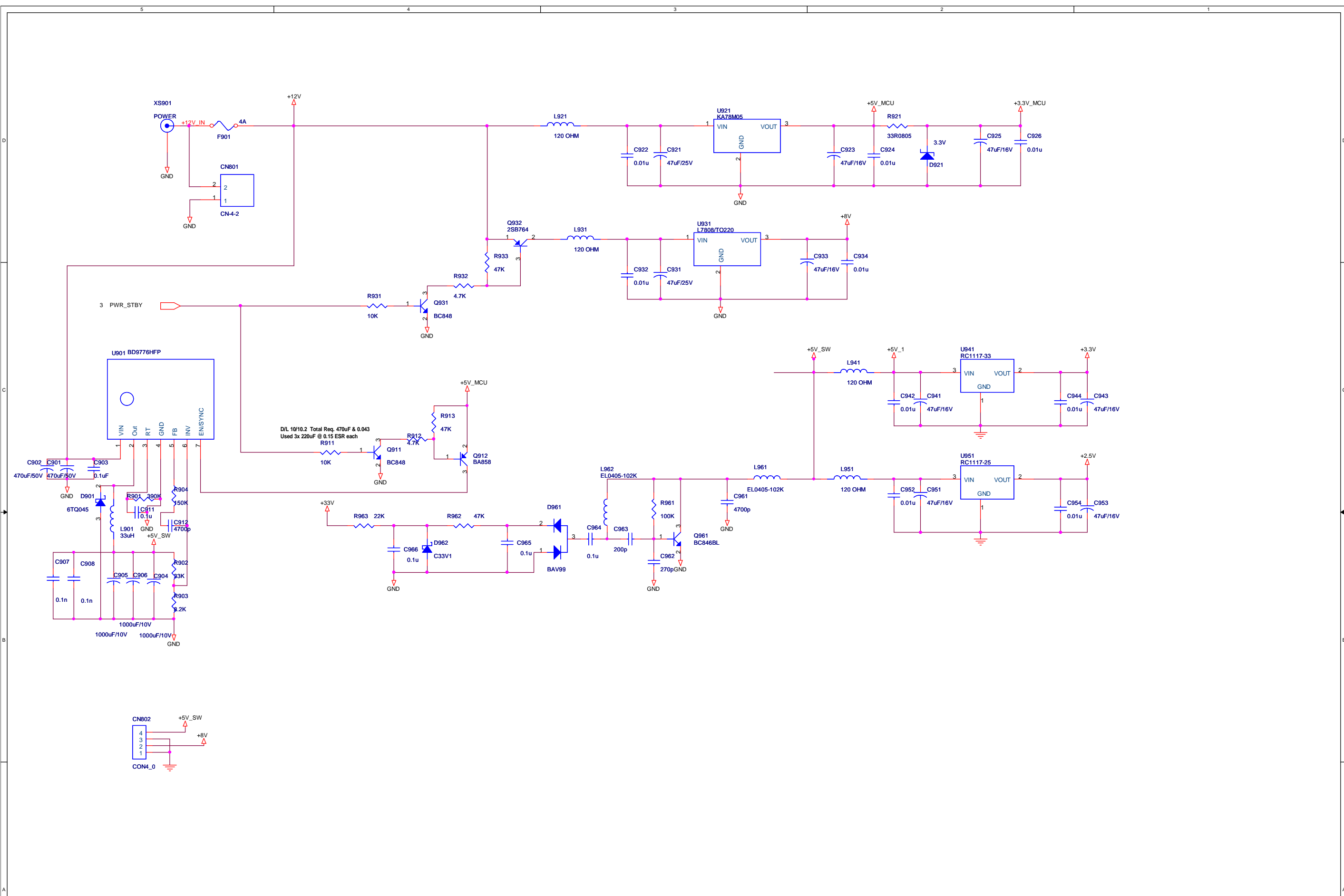


Title		
7.RMT_KEY		
Size	Document Number	Rev
A4	<Doc>	<RevCode>
Date:	Friday, October 21, 2005	Sheet 7 of 9



SURE111

Title		
8.NIC_AM		
Size	Document Number	Rev
C	<Doc>	<Rev Code>
Date:	Friday, October 21, 2005	Sheet 8 of 9



SURE!!!

Title		
9.POWER		
Size	Document Number	Rev
C	MT1518TL	a
Date:	Friday, October 21, 2005	Sheet 9 of 9